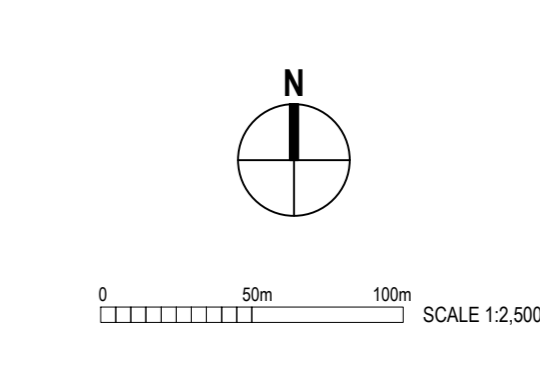
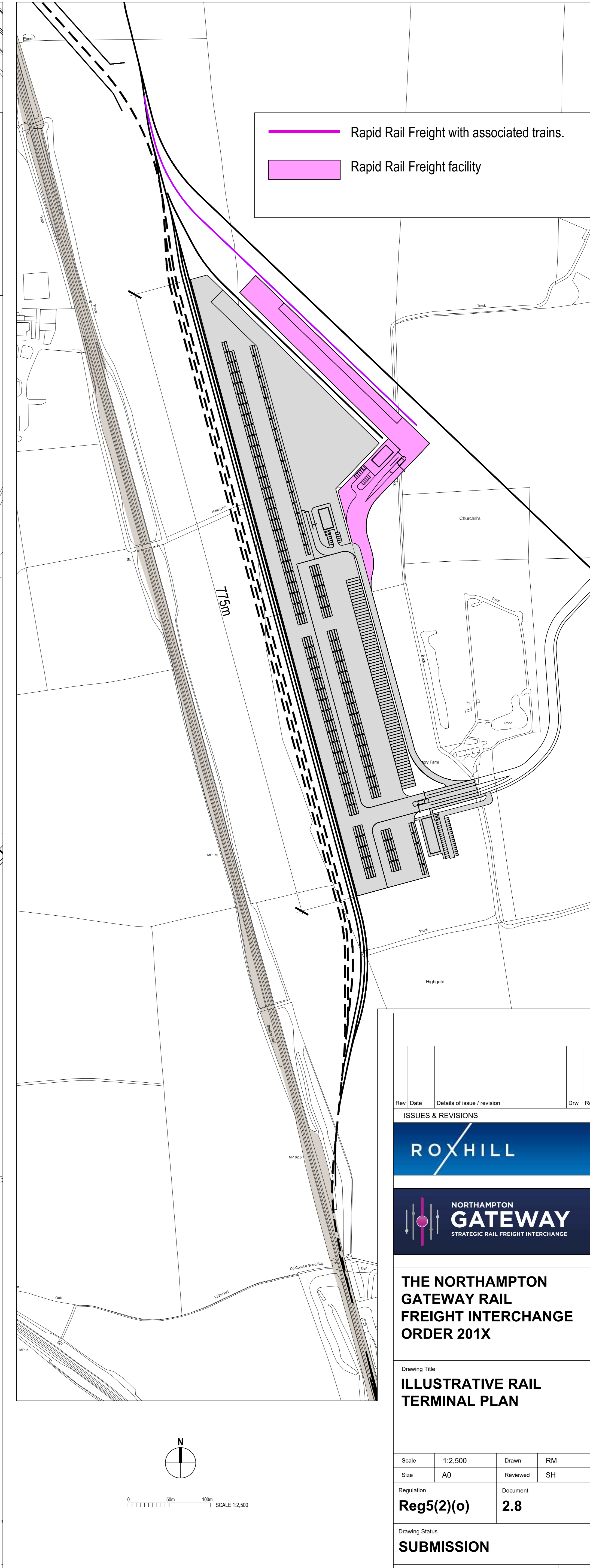
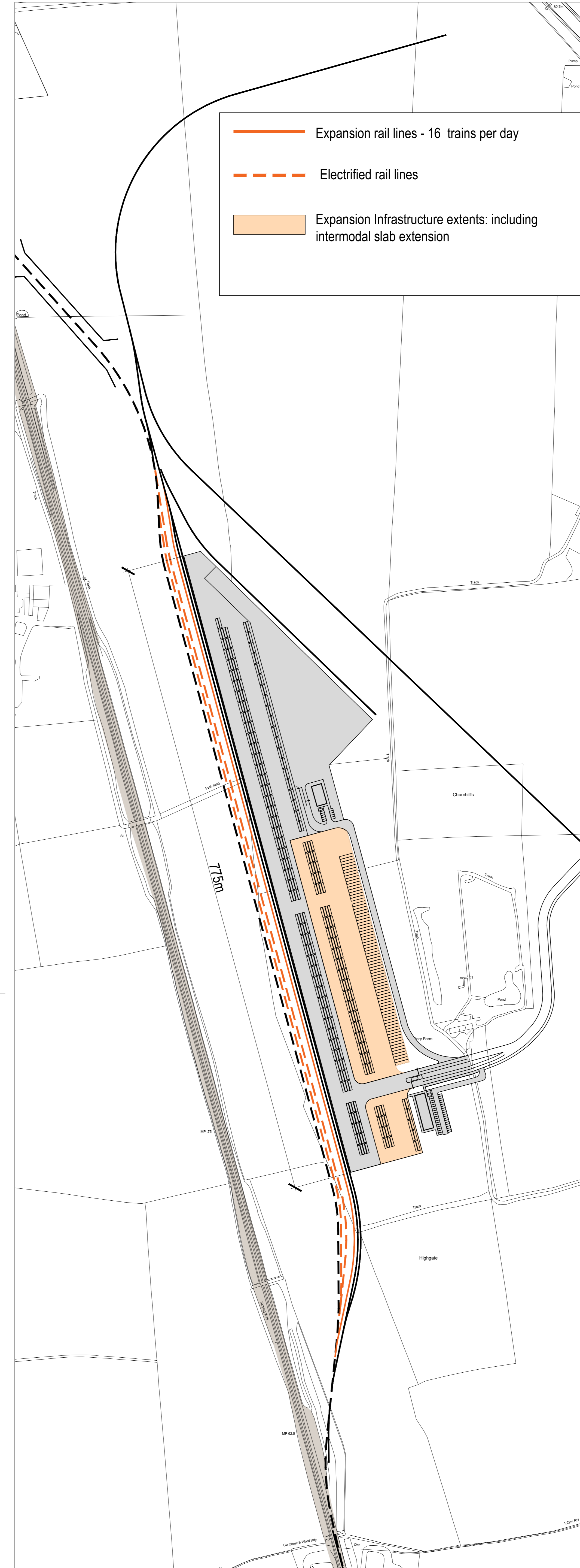
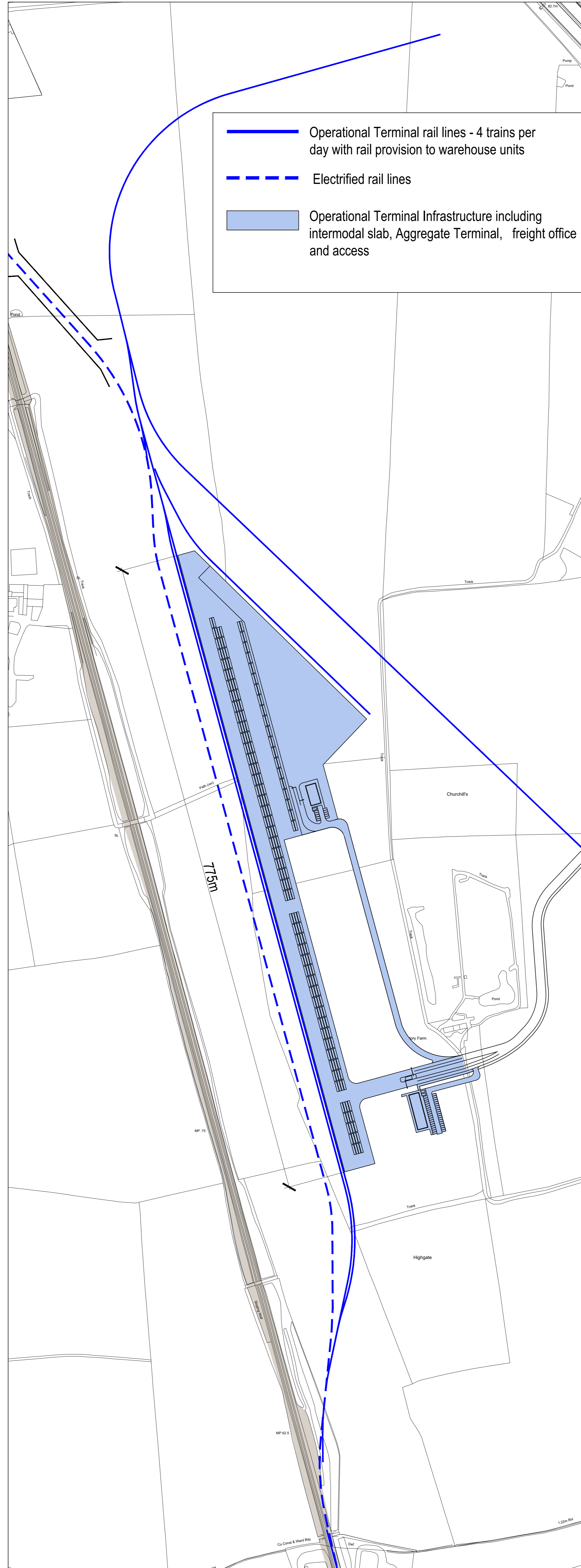
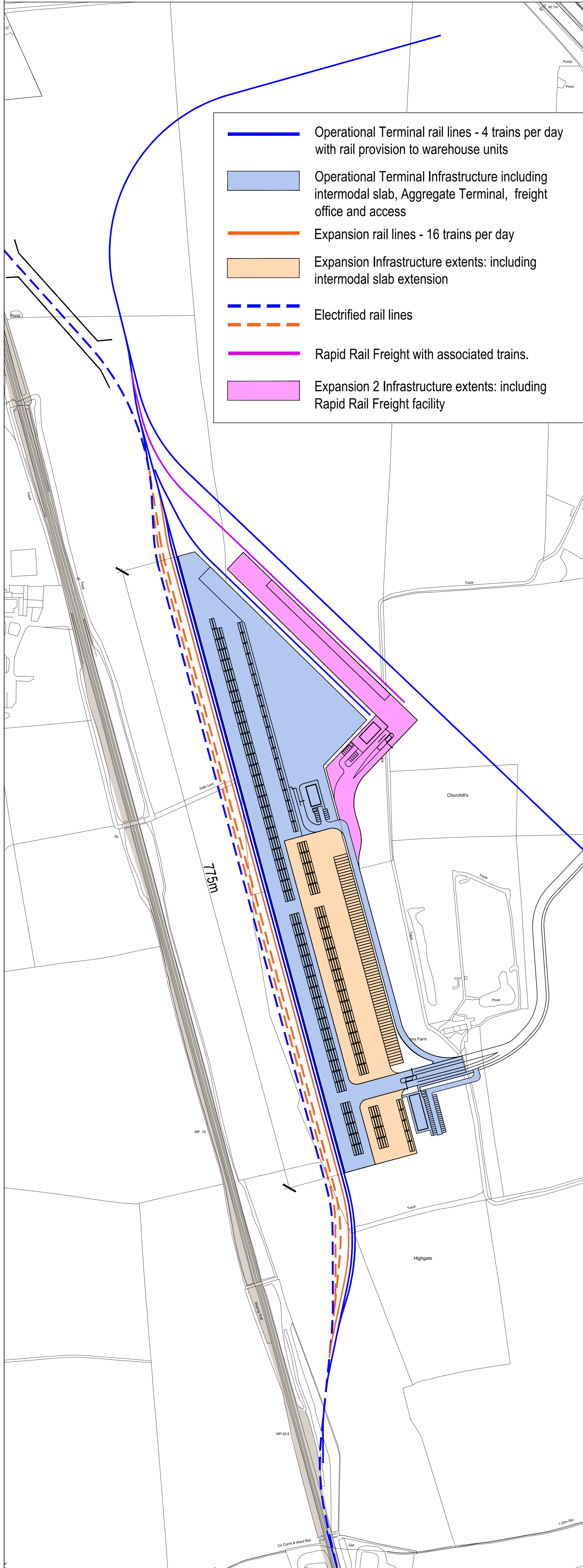


# ILLUSTRATIVE RAIL TERMINAL PLAN

## a) TERMINAL

## b) EXPANSION

## c) RAPID RAIL FREIGHT PROVISION



Rev	Date	Details of issue / revision	Drawn	Rev
ISSUES & REVISIONS				
<b>ROXHILL</b>				
 <b>NORTHAMPTON GATEWAY</b> STRATEGIC RAIL FREIGHT INTERCHANGE				
<b>THE NORTHAMPTON GATEWAY RAIL FREIGHT INTERCHANGE ORDER 201X</b>				
Drawing Title <b>ILLUSTRATIVE RAIL TERMINAL PLAN</b>				
Scale	1:2,500	Drawn	RM	
Size	A0	Reviewed	SH	
Regulation	Reg5(2)(o)	Document	2.8	
Drawing Status <b>SUBMISSION</b>				
Drawing No.	4054-17	Revision	S1	